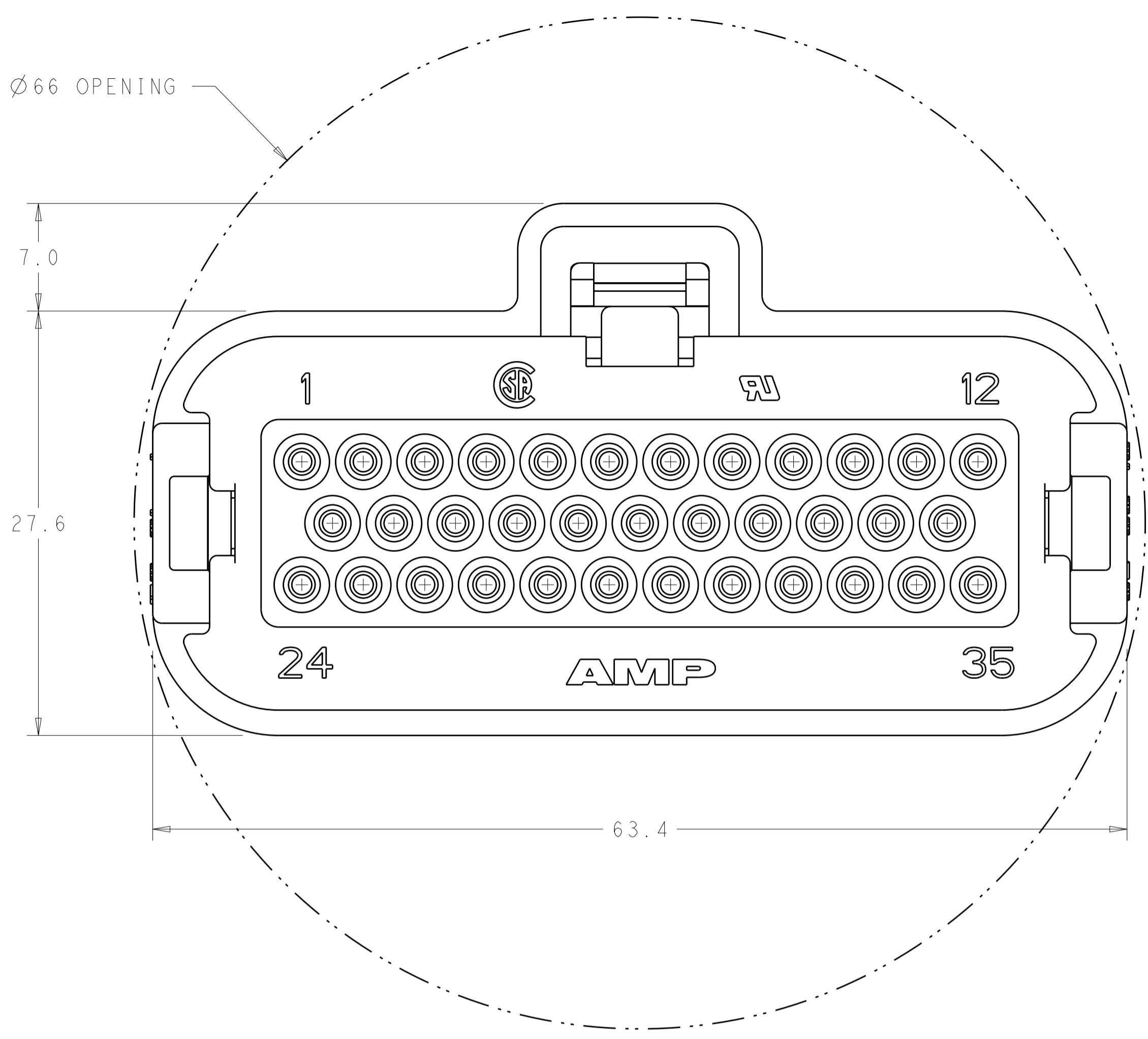
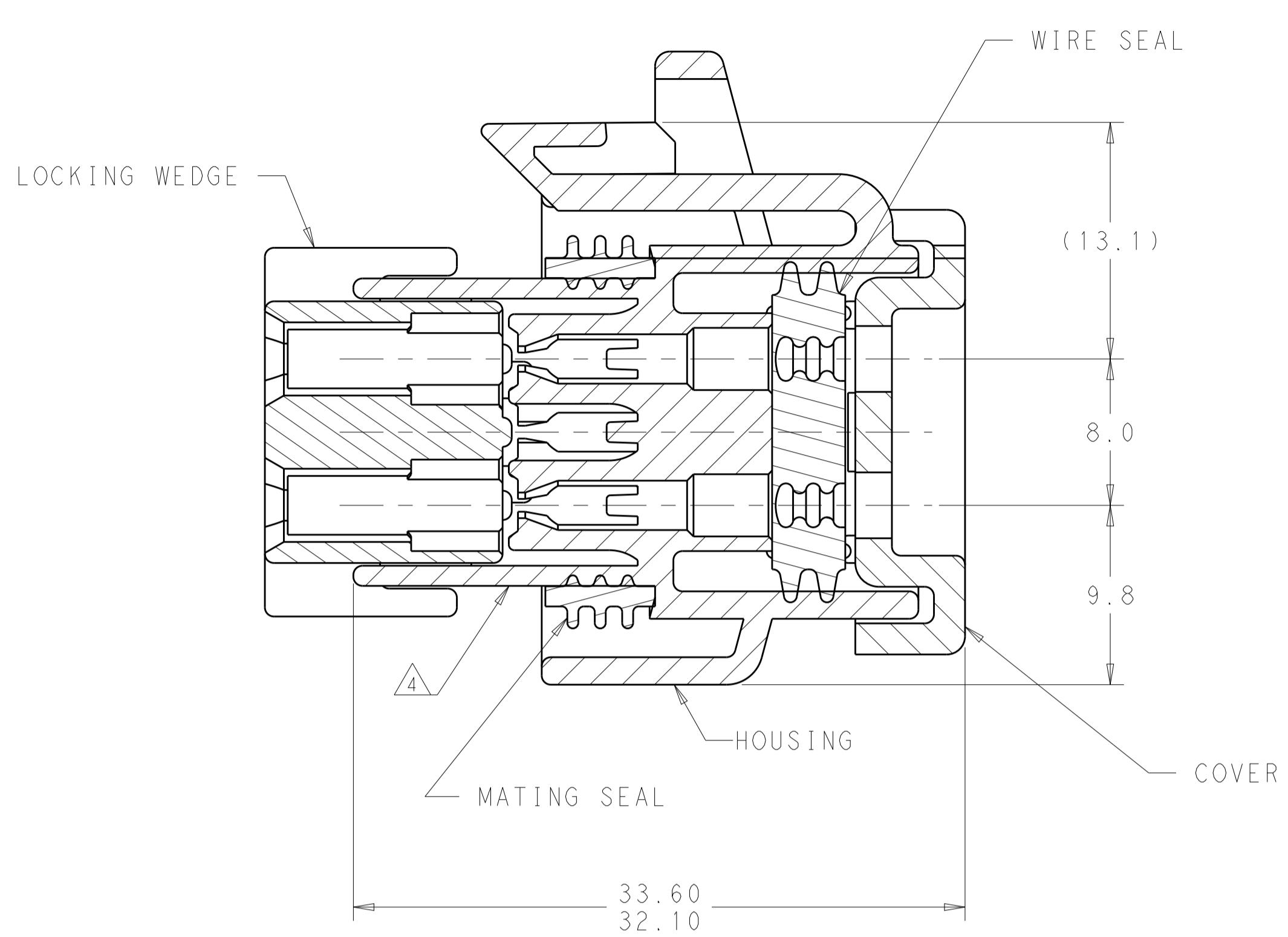
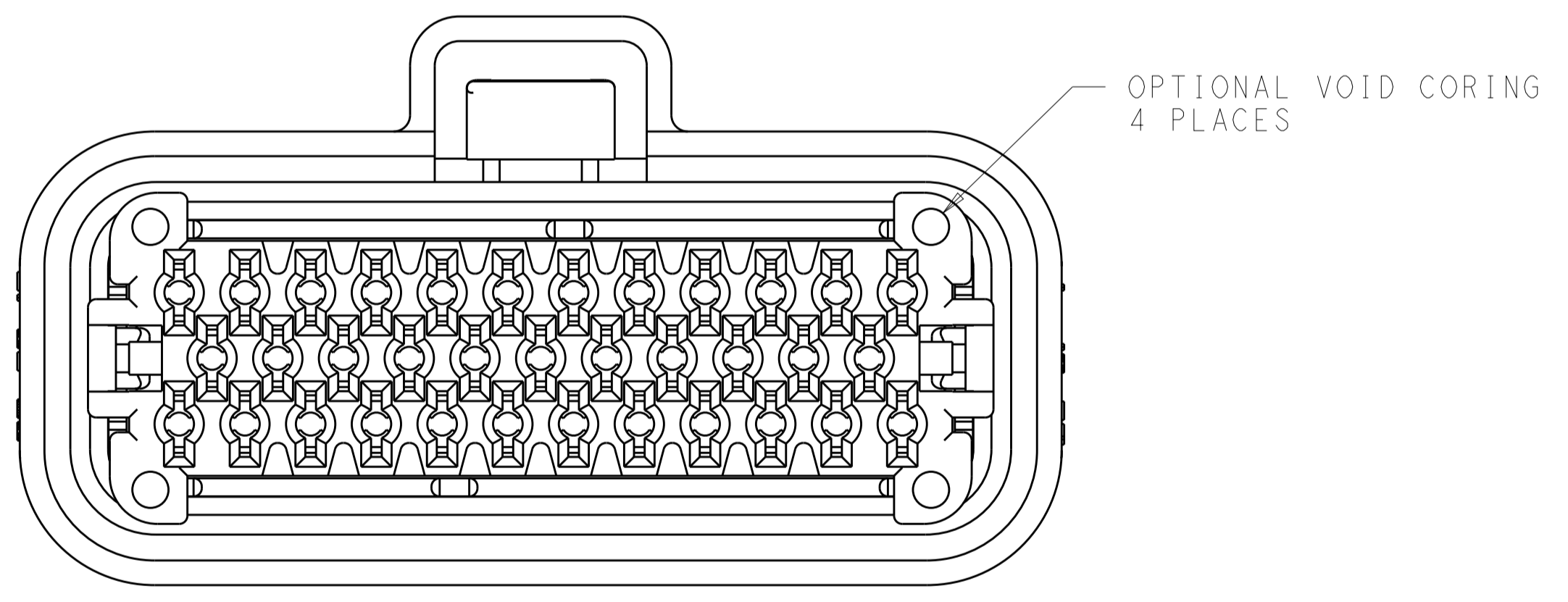


LOC	DIST	REVISIONS					
HK	00	P.	LTN	DESCRIPTION	DATE	DWN	APVD
		E1		REVISED PER ECO-11-011612	03JUN2011	DLD	DLD
		E2		REVISED PER ECO-11-013055	23JUN2011	DLD	DCS
		F		REVISED PER ECO-12-007864	24APR2012	DLD	DCS
		G		REVISED PER ECO-13-001003	17JAN2013	DLD	DCS

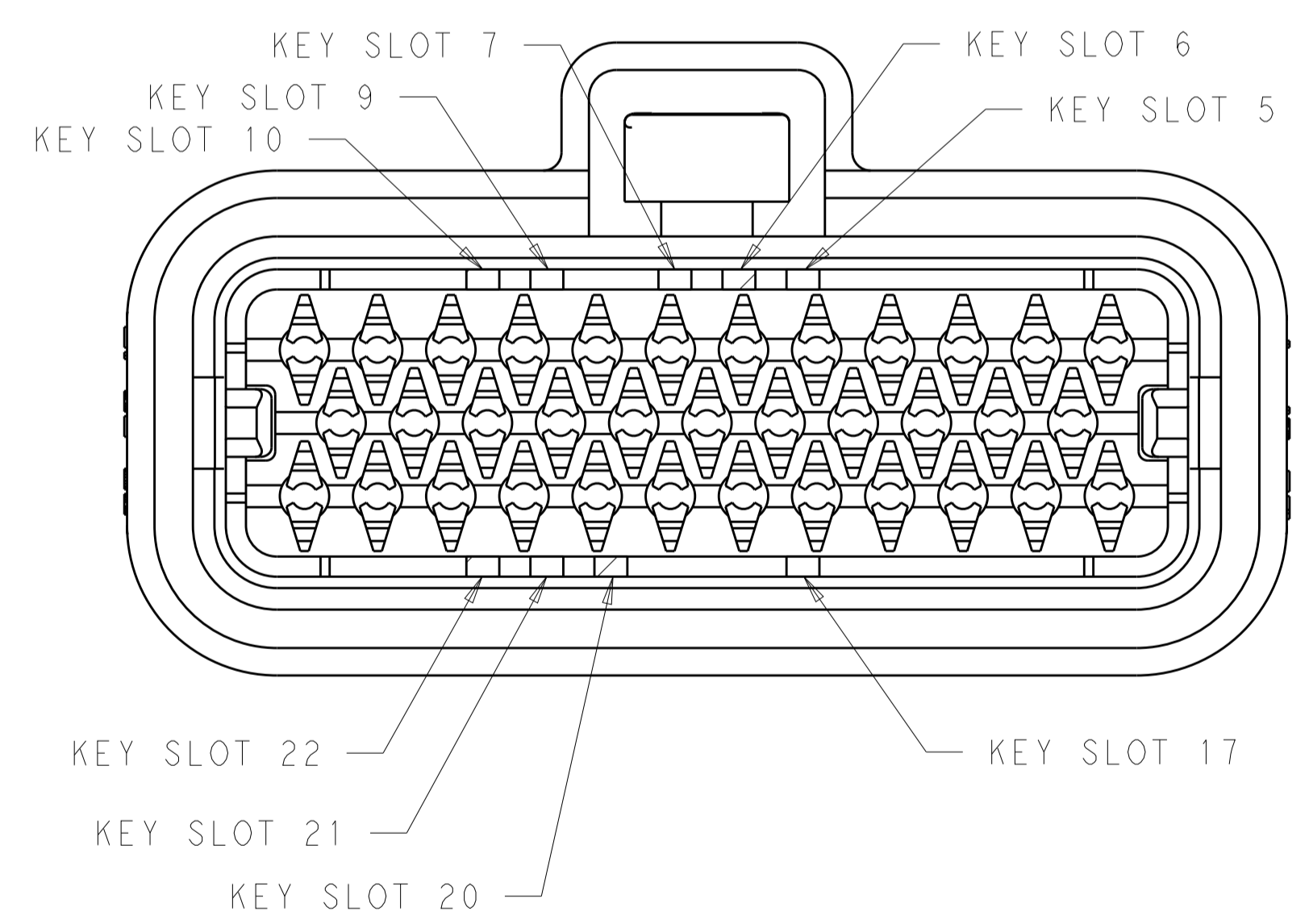
ASSEMBLY WILL PASS THRU Ø66 OPENING



- ⚠ HOUSING COLORS ARE MECHANICALLY KEYED TO MATE WITH IDENTICALLY COLORED HEADER ASSEMBLIES.
- 2. PLUG MATES TO THE FOLLOWING:
 RIGHT ANGLE HEADER - 776180, 776163
 VERTICAL HEADER - 776230, 776231
- 3. PLUG USES REELED TERMINAL 770520 OR LOOSE PIECE TERMINAL 770854.
- ⚠ DATE CODE ON THIS SURFACE. USES 5 DIGIT CODE:
 FIRST 2 DIGITS = YEAR, SECOND 2 DIGITS = WEEK, LAST DIGIT = DAY.



BOTTOM VIEW WITH LOCKING WEDGE
 SCALE 3:1



KEY SLOT LOCATIONS
 SCALE 3:1

7 & 22	776164-6
5, 10 & 22	776164-5
9 & 21	776164-4
7 & 17	776164-2
6 & 20	776164-1
KEY SLOT LOCATION (SEE VIEW ABOVE)	PART NUMBER

GLASS FILLED PBT, BLACK	SILICONE RUBBER, RED	SILICONE RUBBER, RED	PBT, RED	PBT, ORANGE	776164-6
				PBT, BLUE	776164-5
				PBT, GRAY	776164-4
				PBT, NATURAL	776164-2
				PBT, BLACK	776164-1
COVER	WIRE SEAL	MATING SEAL	LOCKING WEDGE	HOUSING	PART NUMBER
THIS DRAWING IS A CONTROLLED DOCUMENT.		DWN R. VESTAL 08SEP2009 CHK D. STRAUSSER 08SEP2009 APVD D. STRAUSSER 08SEP2009		NAME	
DIMENSIONS: mm		TOLERANCES UNLESS OTHERWISE SPECIFIED:		NAME	
0 PLC ±0.2		1 PLC ±0.2		PRODUCT SPEC	
2 PLC ±0.2		3 PLC ±0.2		108-1329	
4 PLC ±0.2		5 PLC ±0.2		APPLICATION SPEC	
ANGLES		FINISH		114-16016	
MATERIAL		WEIGHT		A100779C=776164	
SEE TABLE		SEE TABLE		CUSTOMER DRAWING	
		SCALE 4:1		SHEET 1 OF 1 REV G	